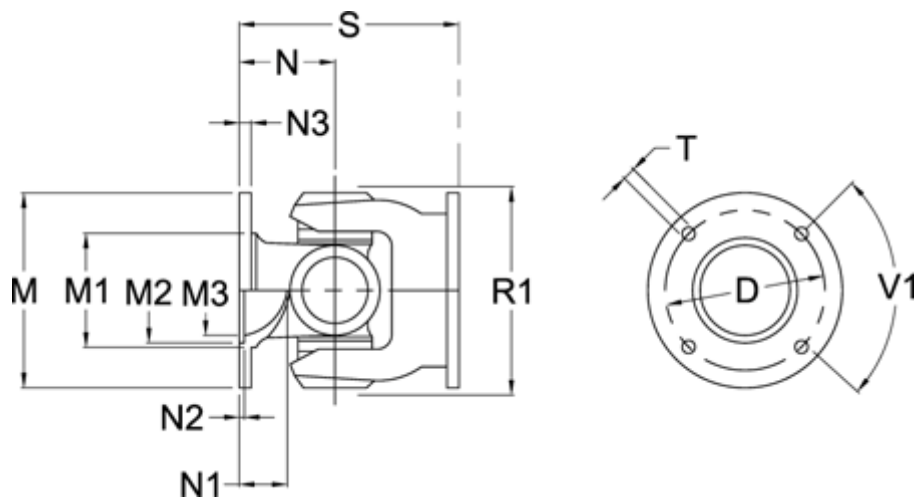


Article number: 07111406406

Description: Universal joint single 0.111.406
S=118 X= Bore with keyway

Measures



D	= 101,5+0,1	N2	= 2,5+0,5
Flange diameter M	= 120	N3	= 8.5
M1	= 76	Number of Flangeholes	= 8
M2	= 75	R1	= 98
M3	= 70	S min	= 118
Max. Bending Angle degrees	= 35	T	= 8 B12
N	= 59	V1 degrees	= 45
N1	= 16		